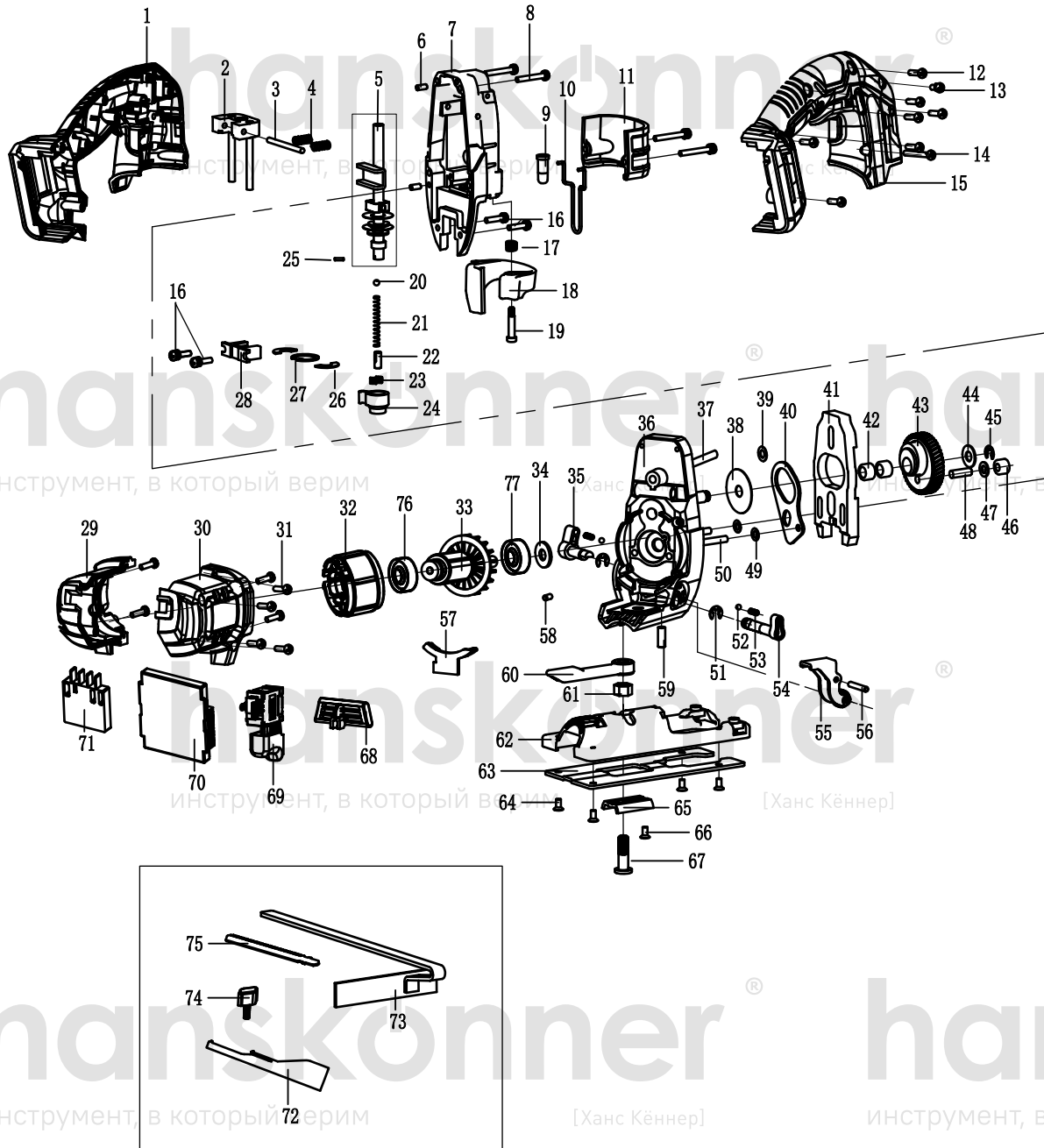


# HJS18135



NO	DESCRIPTION	NO	DESCRIPTION
1	LEFT HOUSING	39	WASHER3
2	RECIPROCATING FRAME	40	ORBITAL PLATE
3	PIN1	41	BALANCE BLOCK
4	SPRING1	42	NEEDLE BEARING HK090813
5	RECIPROCATING ASSEMBLY	43	BIG GEAR
6	PIN2	44	WAHSER4
7	REDUCE COVER	45	CIRCLIP 8
8	SCREWM4X28	46	NEEDLE BEARING HK061208
9	LIGHT COVER	47	WASHER5
10	STEEL WIRE BAFFLE	48	PINØ6×18.7
11	PLASTIC FRONT COVER	49	WASHER6
12	SCREWST4.2×14	50	PINØ5×28
13	SCREWM4×8	51	RING
14	SCREWST4.2×45	52	BALL 4
15	RIGHT HOUSING	53	SPRING3
16	SCREWM4×14	54	ADJUST BUTTON
17	TORSIONAL SPRING1	55	ORBITAL BRACKET.
18	PC COVER	56	PINØ4×24.5
19	SCREWM4	57	AIR BAFFLE
20	BALL	58	RUBBLE PIN
21	SPRING2	59	PIN Ø6×16.2
22	LIMIT SLEEVE	60	QUICK LEVER FOR BASE PLATE
23	TORSIONAL SPRING2	61	SCREWM8X2.5
24	CHUCK	62	BASE PLATE SEAT
25	PIN3	63	STEEL BASE PLATE
26	WASHER	64	SCREW M4×8
27	CIRCLIP RING	65	PRESS PLATE
28	LIMIT PLATE	66	SCREW M4×6
29	HOUSING FOR MOTOR	67	SCREW M8×2.5
30	COVER FIR MOTOR	68	LOCKING BUTTON
31	SCREW ST4.2×20	69	ADUST SWITCH
32	STATOR	70	CONTROLL PCB
33	ROTOR	71	BATTERY FOOT
34	WOOLEN RING	72	DUST PIPE
35	BLOW DUST SWITCH	73	RULER
36	GEARBOX ASSEMBLE	74	BUTTON
37	PIN	75	BLADE
38	WAHSER2	76	REAR BEARING 625
		77	FRONT BEARING 629